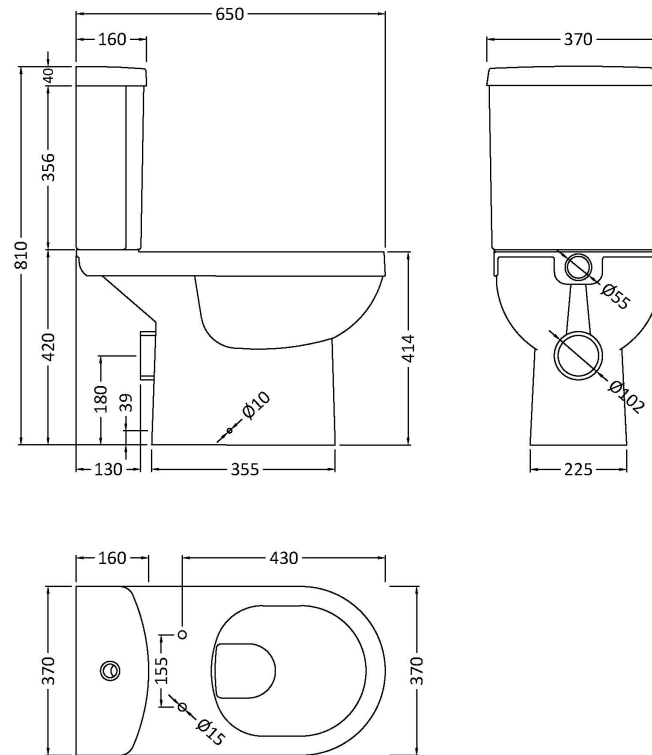


Sales Code: NCS250

Description: Ivo Pan Pack (With Seat)



Product Dimensions

Height (mm):	810
Width (mm):	370
Depth (mm):	650
Nett Weight (kg):	33.35

Packaging Dimensions

Height (mm):	445
Width (mm):	390
Depth (mm):	725
Gross Weight (kg):	33.85

Packaging Data

Box Colour:	Brown Cardboard Box - Printed
Box Qty:	1
Label Size:	100 x 50
Label Colour:	White Label
Label Qty:	2

Outer Box Dimensions (If Applicable)

Height (mm):	
Width (mm):	
Depth (mm):	
Gross Weight (kg):	
Barcode:	5060272822774

Product Details

Country of Origin:	China
Fitting Instruction:	No
Certification: CE & UKCA:	Yes WRAS: N/A WRAS No: N/A
Product Material:	Vitreous China
Fixing Supplied:	No

Pans/Bidets:	Trap Style: P Trap	Includes Seat: Yes
---------------------	--------------------	--------------------

Seats:	Seat Type: Round	Material: Polypropylene
	Function: Soft Close	Hinge Type: Top & Bottom Fix
	Hinge Material: Plastic	

Cisterns:	Operating Type: Push Button	Fittings: Loose 6/3L
	Lever Type: Plastic Chrome Platec	

Basins:	Tap Hole: Not Applicable	Chain Stay Hole: Not Applicable
	Template: Not Applicable	Waste Type Req: Not Applicable
	Overflow Inc: Not Applicable	Overflow Cover: Not Applicable
	Inner Bowl Depth (mm): N/A	